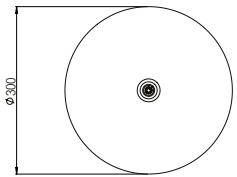
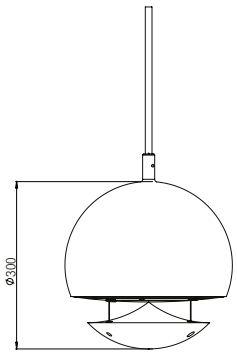


SPHERINA_AIR



FULL RANGE SOUND OUTPUT

Speaker type
6" dual-concentric speaker

Nominal impedance
8 Ω

Crossover
two way on board

Frequency range
60-20.000 Hz (-6dB)

Sensitivity (1W-1m)
88 dB

Speaker Peak Power
300W

Speaker RMS Power
150W

Recommended amplifier power
200W (Class D)

SPECIFICATIONS

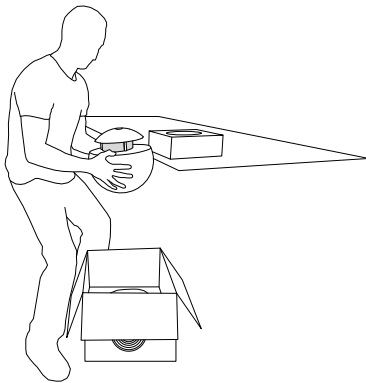
Material
Concrete in four finishings:
Black, gray, red and white.
Gold leaf, Silver leaf and
Copper leaf for the Shine Line
Special edition.

Mechanic material
Stainless steel

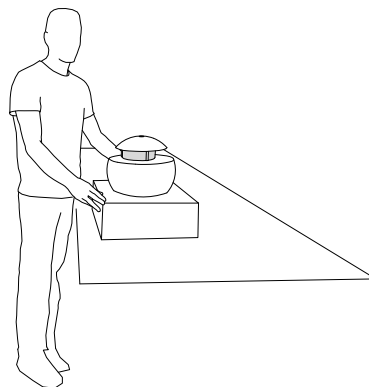
Dimensions
 \varnothing 300

Weight
14 kg
(without hanging system)

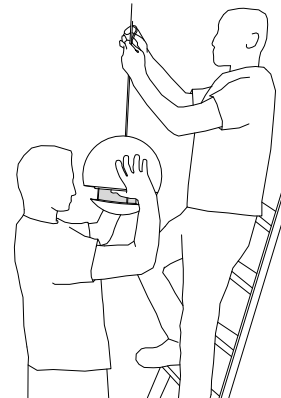
Unpacking: to remove the Spherina from the shipping box carefully follow these steps



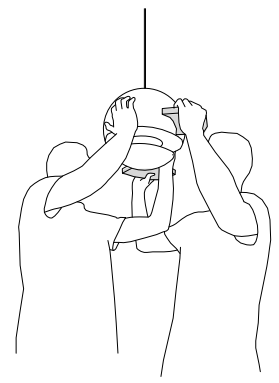
1. Gently lift the loudspeaker from the packaging, holding the body and not the deflector.



2. Lay the loudspeaker over the supporting packaging piece, while checking the hanging system most appropriate for your case.



3. Always make sure to be always at least two people handling the Spherina_air while connecting it. Secure the loudspeaker to the ceiling making sure not to push the deflector but holding its body.

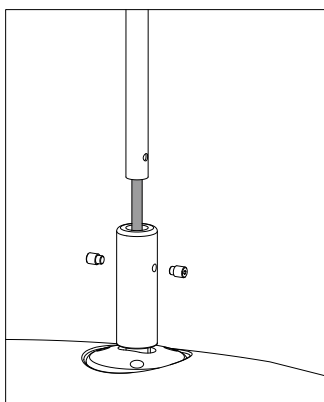


4. Once the module is safely mounted to the ceiling remove the foam protective spacers, always holding the diffused by its body and not deflector.

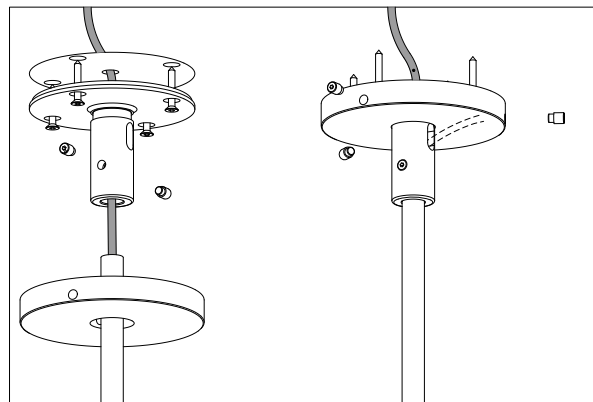
Installation:

The Spherina_Air can be installed with three different kinds of hanging solutions:

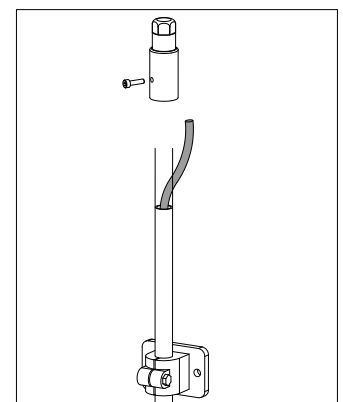
- **Armoured Cable** (standard), suitable for both indoor and outdoor installations.
- **Steel Tube**, suitable for both indoor and outdoor installations.



Steel Tube > Connection to the body



Steel Tube > Connection to the ceiling - Indoor - (VPERG)

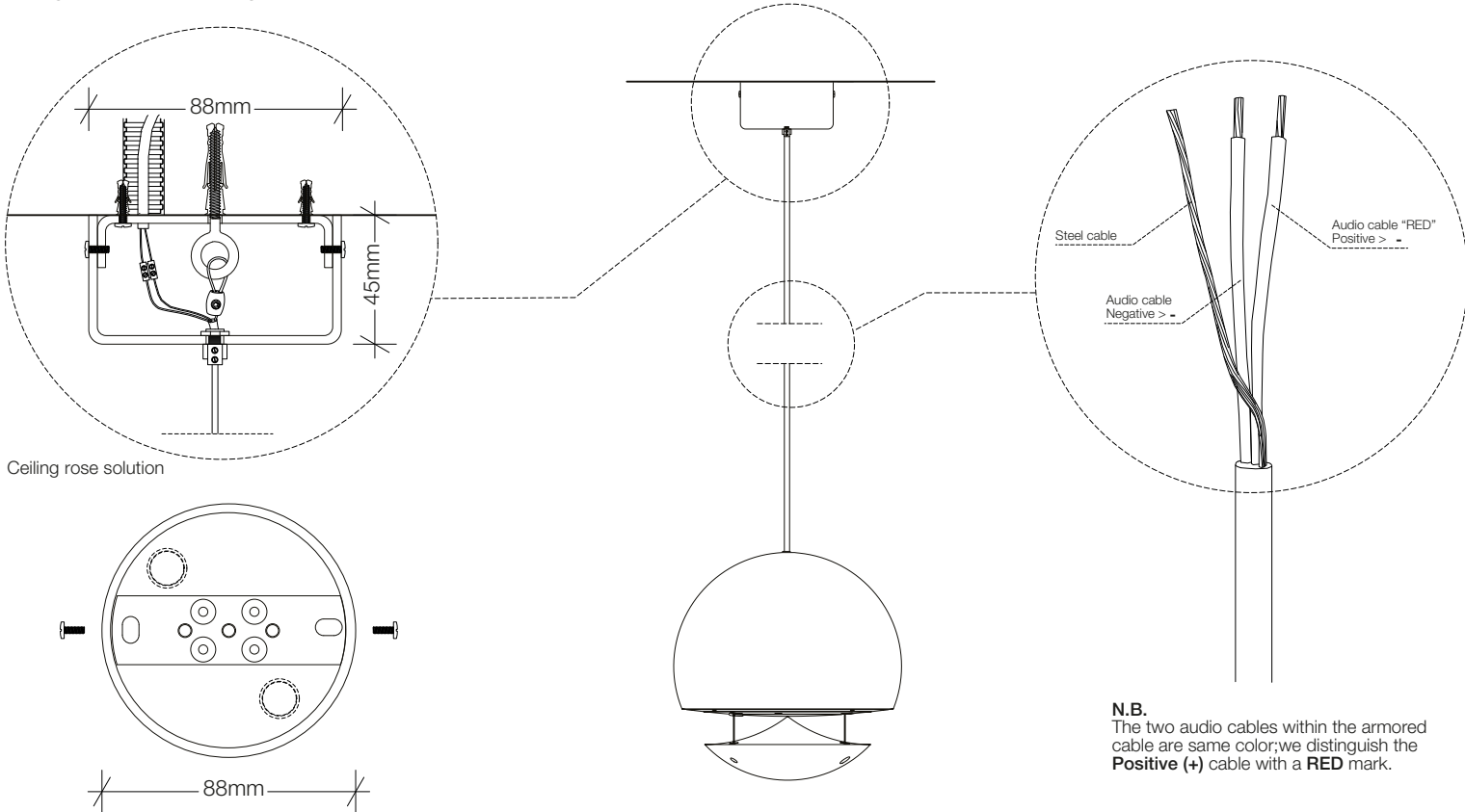


Steel Tube > Connection to the wall Indoor/Outdoor - (FK-12 clamp)

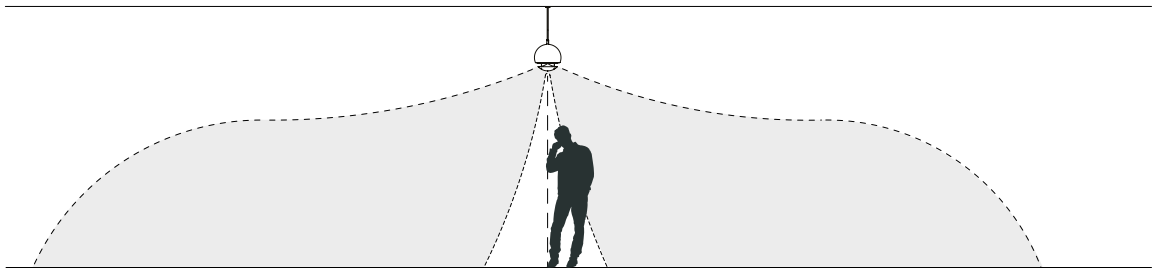
The hanging armoured cable is the perfect solution to mount the speaker with a really clean and sleek system, which combines the supporting steel cable and the audio cable within the same transparent skin. AS provides a stainless steel ceiling rose as the ideal solution to mount the Spherina with the armoured cable hanging solution.

Mount the plate on the ceiling with proper anchoring system, then install the "O ring", making sure that the bolt has a **weight capacity of at least 30Kg minimum**.

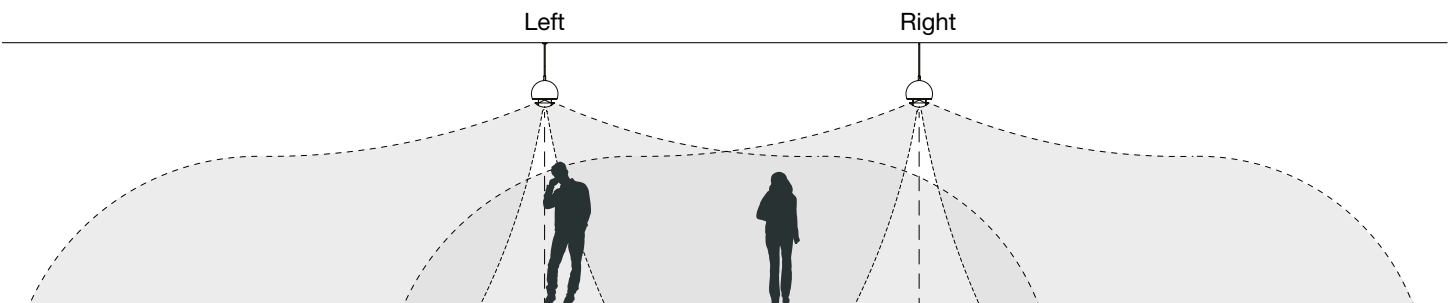
Strip the armoured cable properly and secure the steel cable into the hook using the provided cable clamp. Make audio connections using the polarity wiring instructions labeled on the cable, the positive is the one with a **RED** mark.



Diffusion and directionality: The Spherina_Air is an omnidirectional loudspeaker characterized by a dual concentric 6" transducer, with coaxial mid-woofer and tweeter to create a virtual point source, linear and time coherent, providing a uniform omnidirectional coverage over the vertical axis, with a cone-shaped area of low coverage below the deflector.



When the installation of Spherina_Air involves the passage of people below the speakers, we highly recommend using at least two loudspeakers in a Stereo configuration, in order to eliminate the not-covered areas underneath the deflector



Maintenance and care: to keep your speakers beautiful as long as possible, we warmly recommend doing maintenance at least once a year. When not in use, sound modules should be appropriately covered or stored away; heavy duty protective covers are available from AS. Please refer to the General Manual for appropriate instructions and note that any departure from our recommendations on care and cleaning, or any evidence of misuse or damages from ordinary wear and tear, will void all warranty claims.